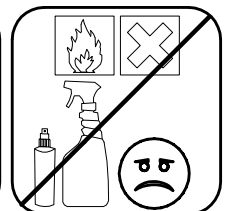
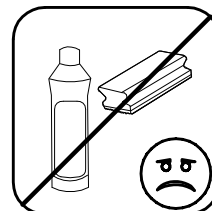
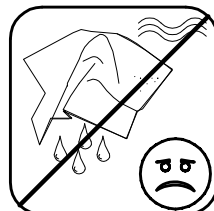
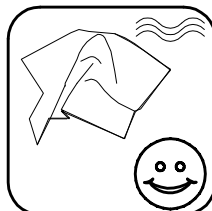
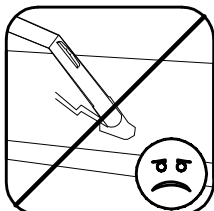
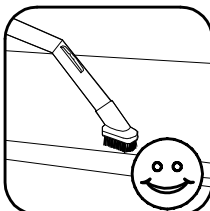
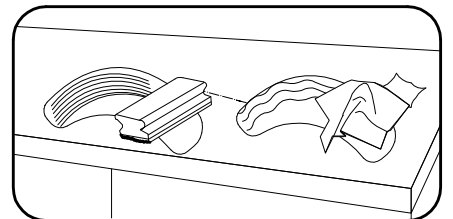
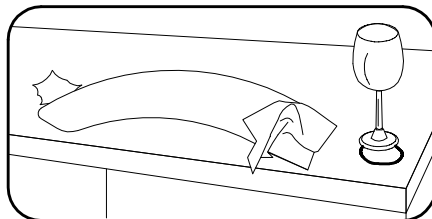
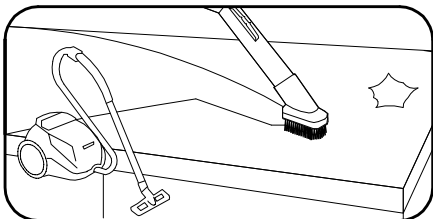
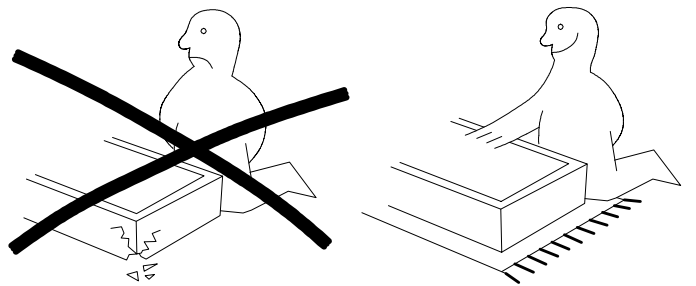
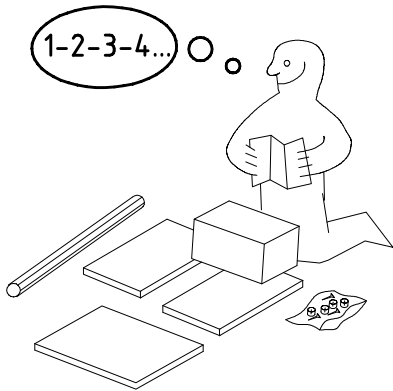
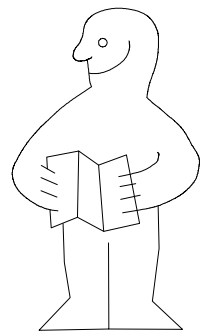
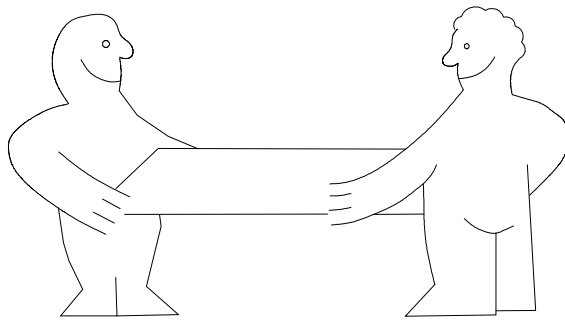
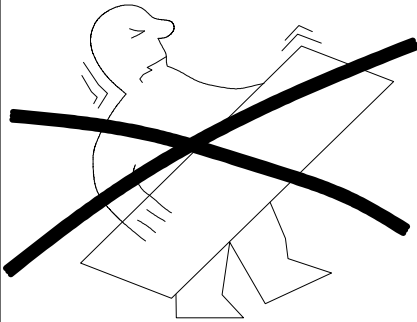
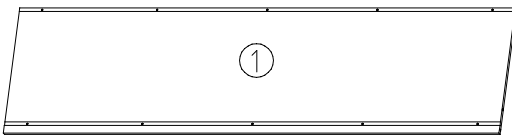
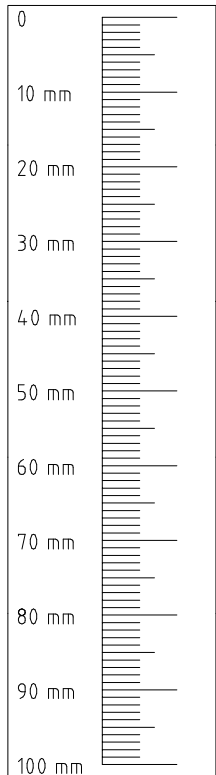
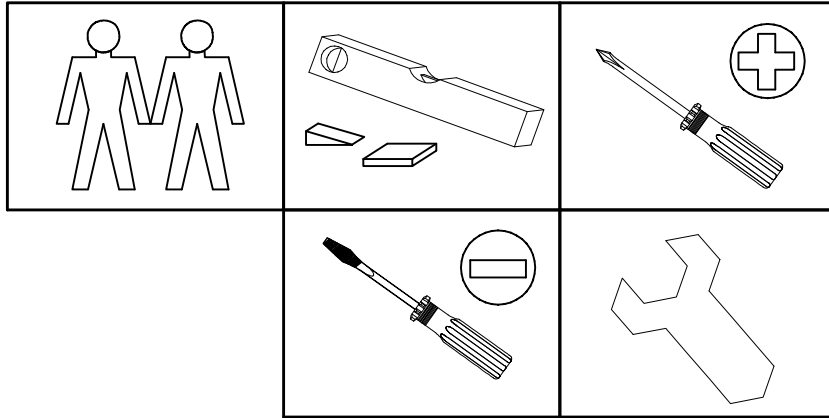
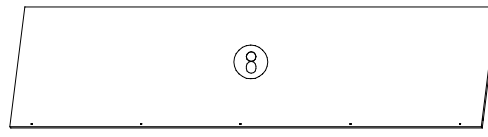


H 225 1MS

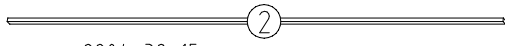




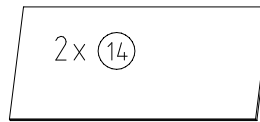
2205x560x15



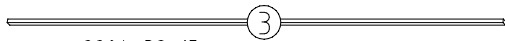
2205x560x15



2204x32x15

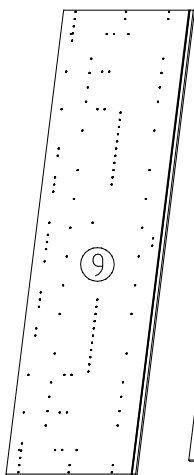


2x 14

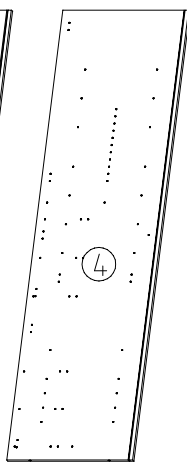


2204x32x15

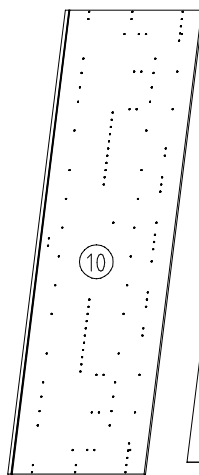
1095x500x18



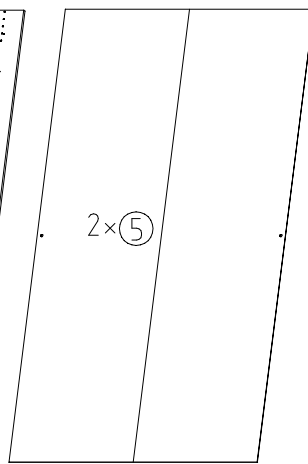
9



4



10



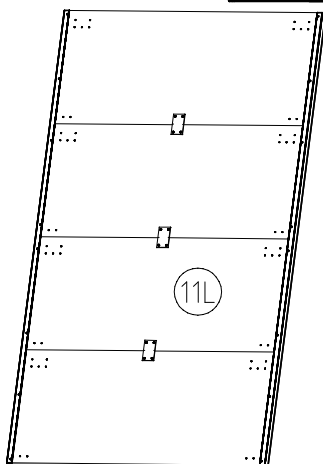
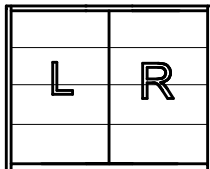
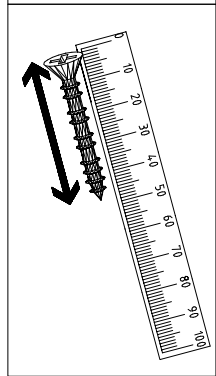
2x 5

2064x577x15

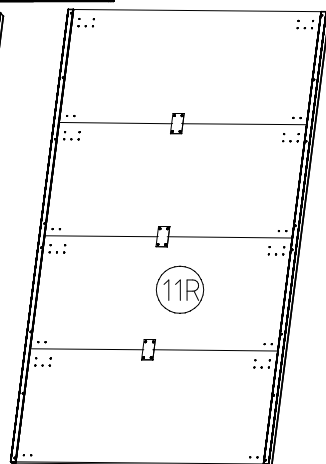
2001x560x15

2064x607x15

2015x1104x2,5



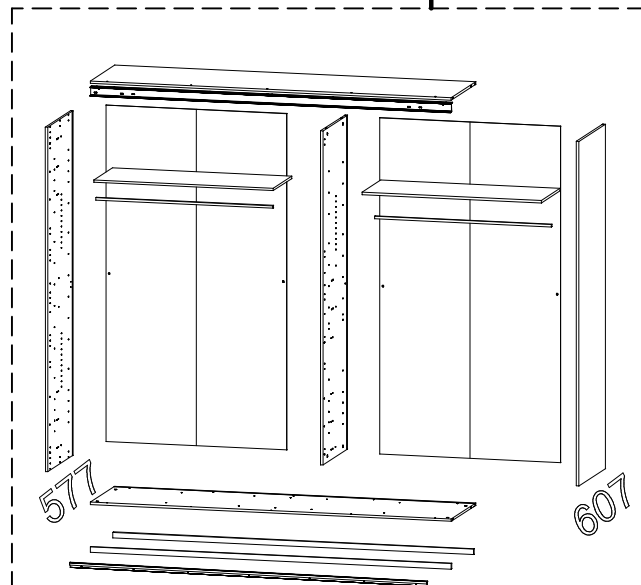
11L

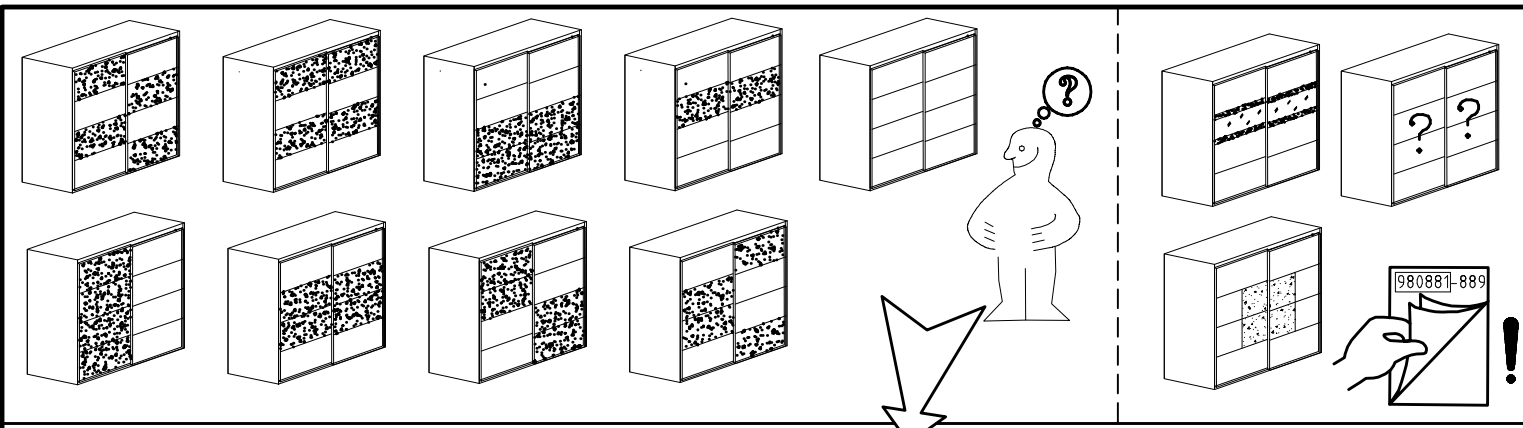




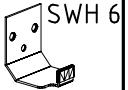



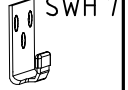

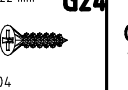
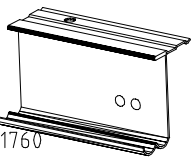


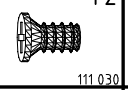


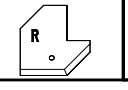
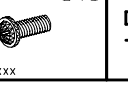
11R


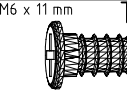

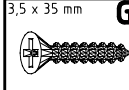
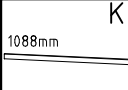
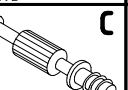
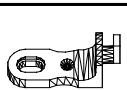
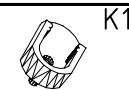
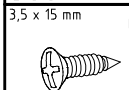
2018x1135x15

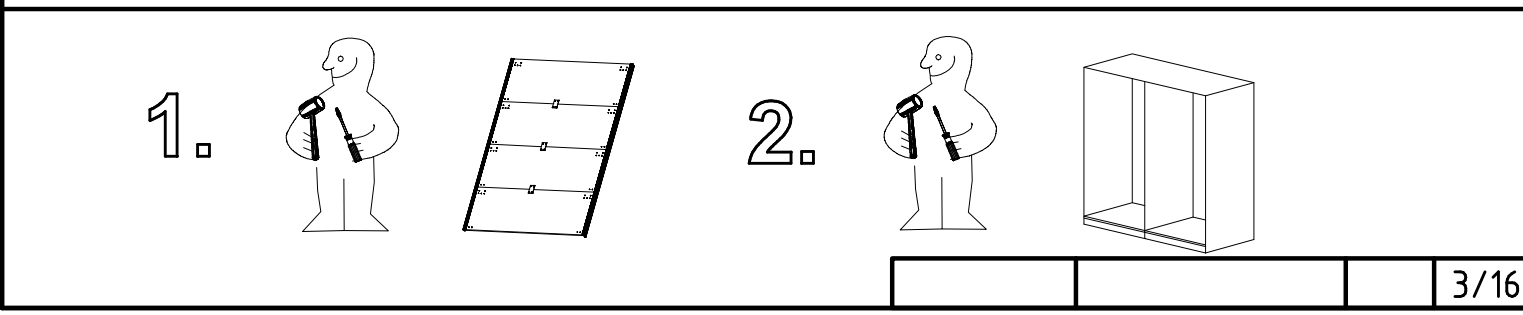
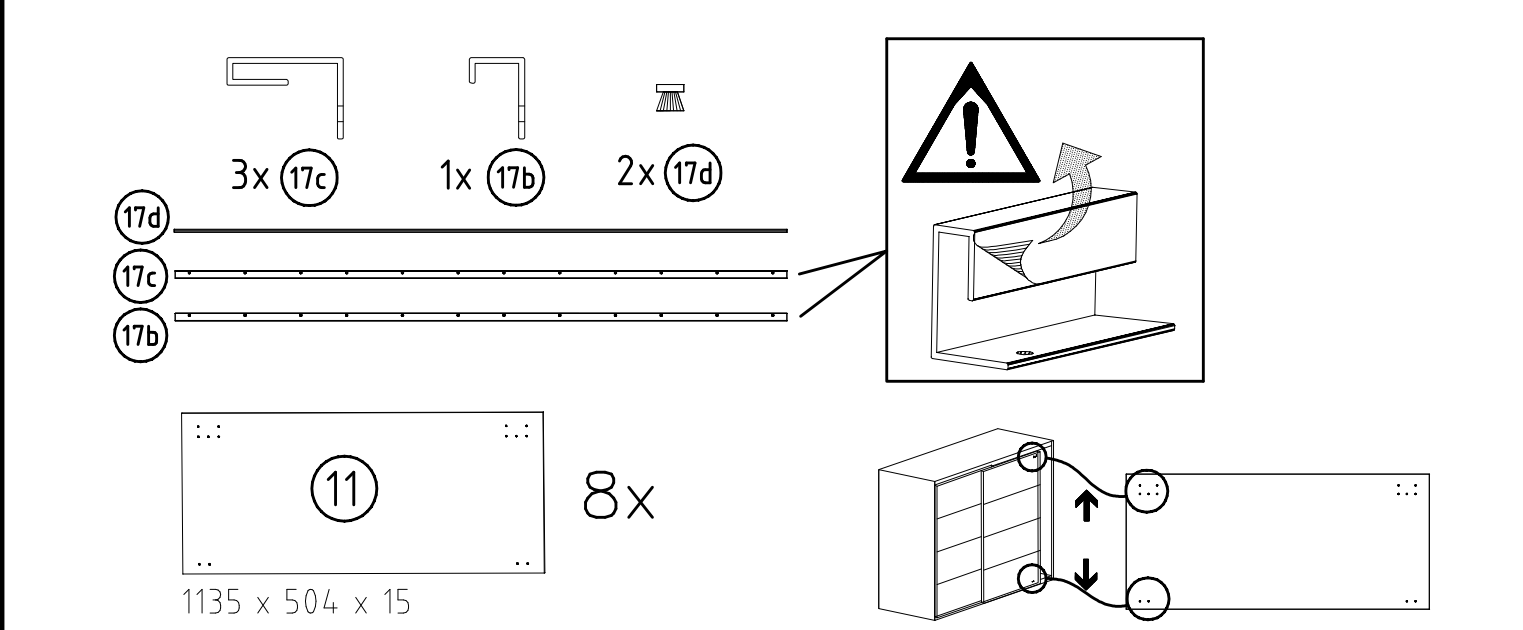
2018x1135x15



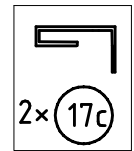
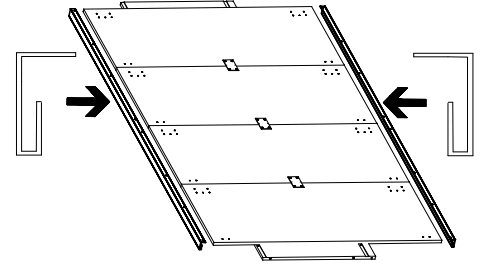
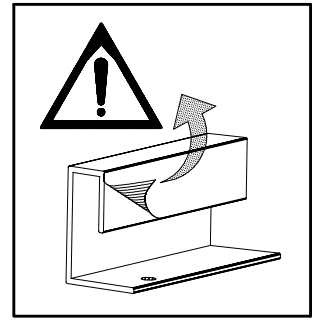
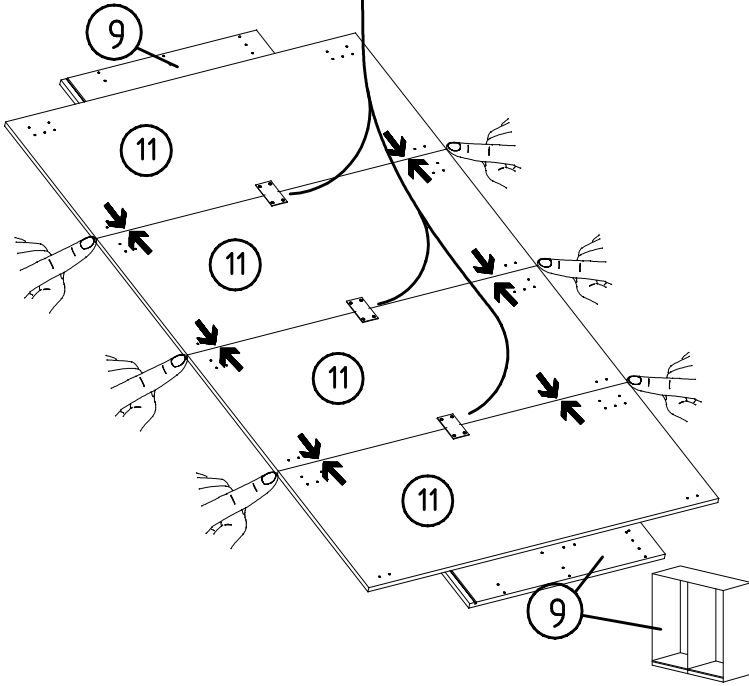
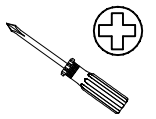
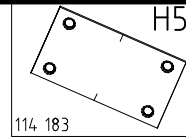
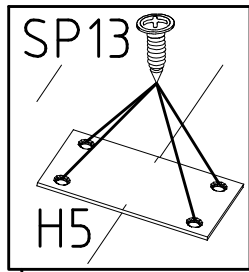
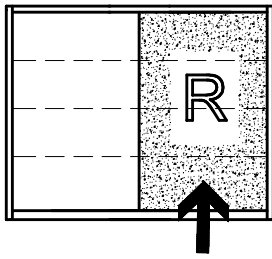


1x FPN  1316/1760 2204/2648/3092/3536	 SWH1 2x	 SWH 6 2x	 SWH-ST 2x	 SP13 4 X 13mm 65x 121 122
	 SWH2 1x	 SWH 7 2x	 SWH-MS 2x 6,3 x 10,5 mm T2	 G24 3,5 x 22 mm 9x 121 004
1x LP  1316/1760 2204/2648/3092/3536	 SWH3 1x	 SWH-SKL 1x	 H5 6x 114 183	 GH13 M4 x 13 mm 5x 121 xxx
	 SWH-D 1x	 SWH-SKR 1x	 G43 M4 x 10 mm 5x 121 xxx	

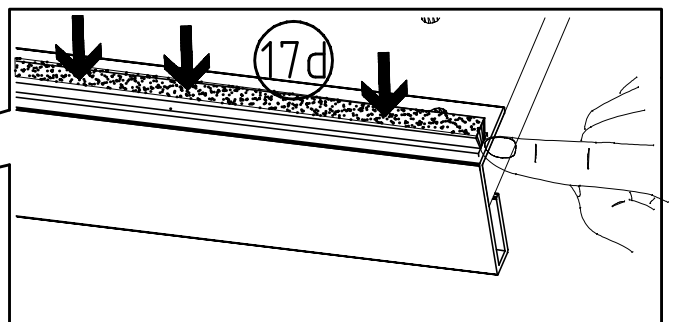
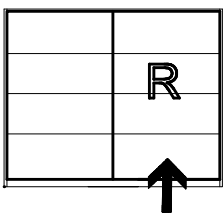
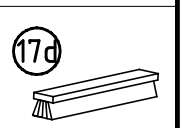
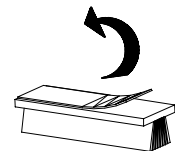
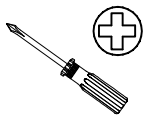
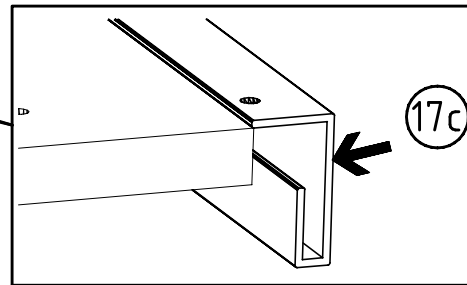
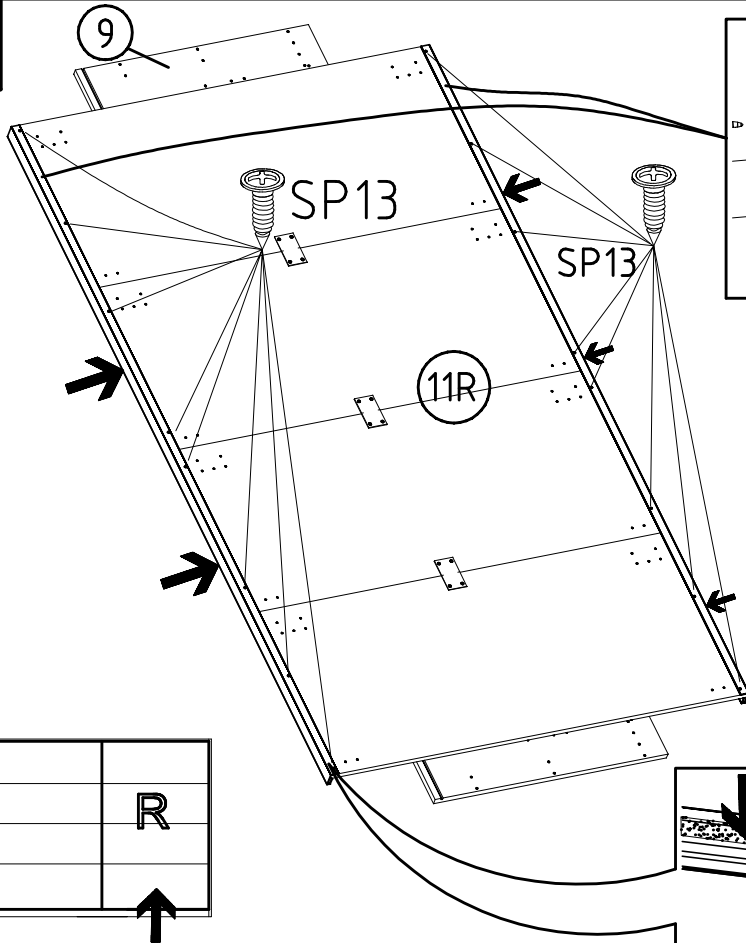
 A 12x 111 102	 T6 M6 x 11 mm 4x 121 181	 L7 8x 111 610	 G14 3,5 x 35 mm 10x 121 375	 K22 1088mm 2x 112 404
 C 12x 111 103	 J1 4x 111 174	 K1 4x 117 001	 G1 3,5 x 15 mm 8x 121 370	



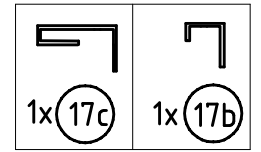
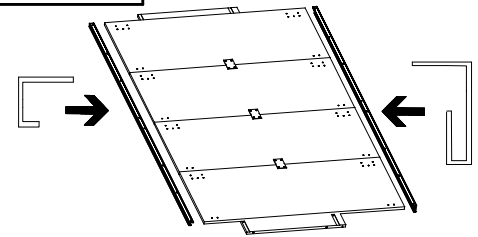
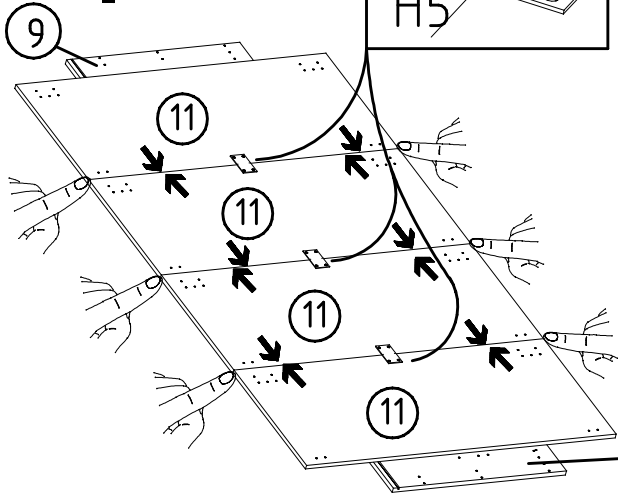
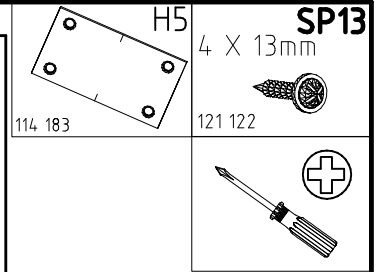
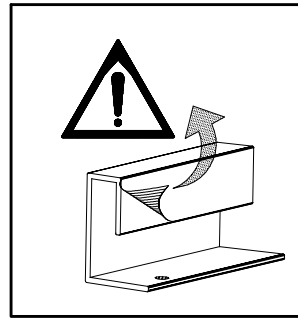
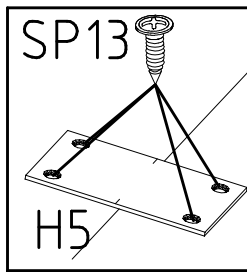
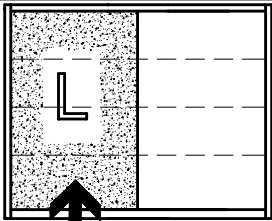
1



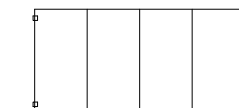
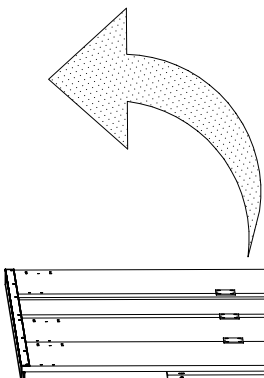
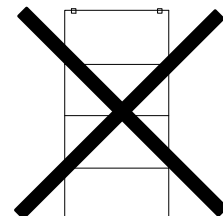
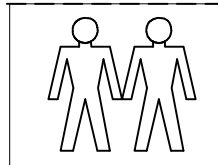
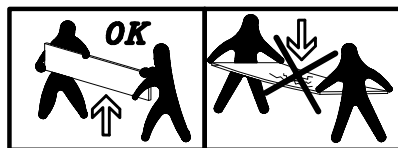
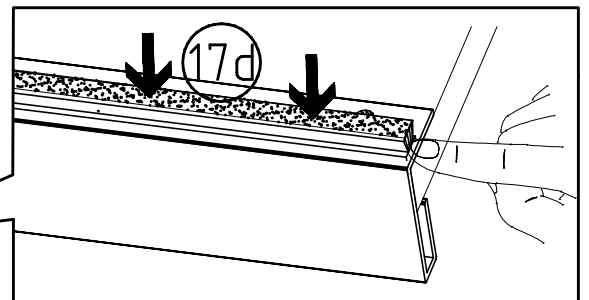
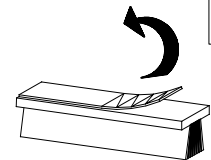
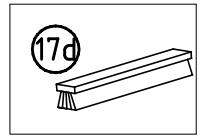
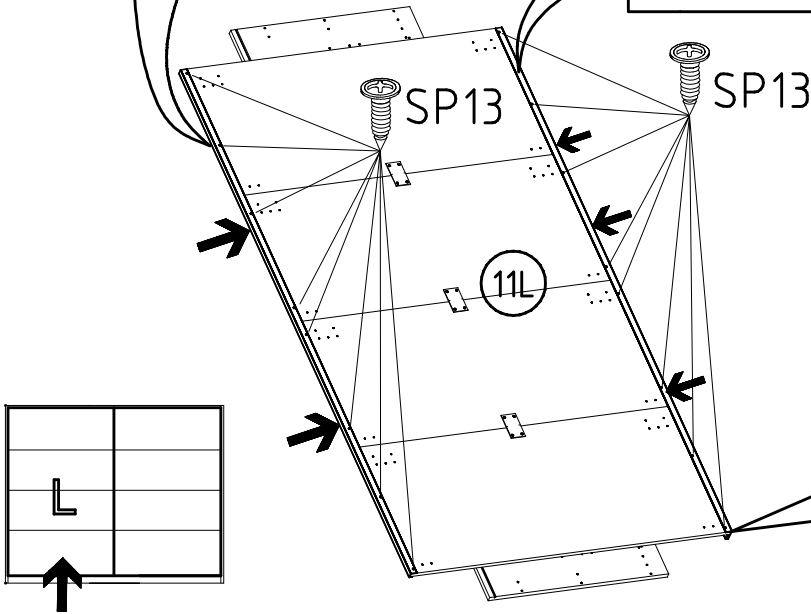
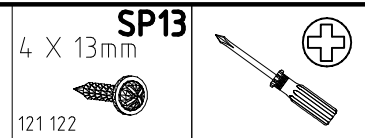
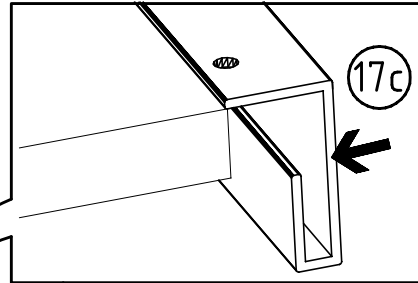
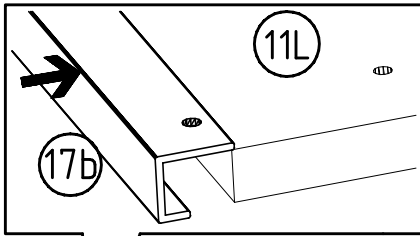
2



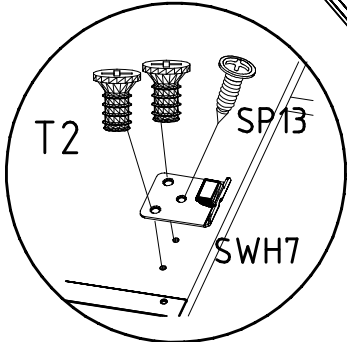
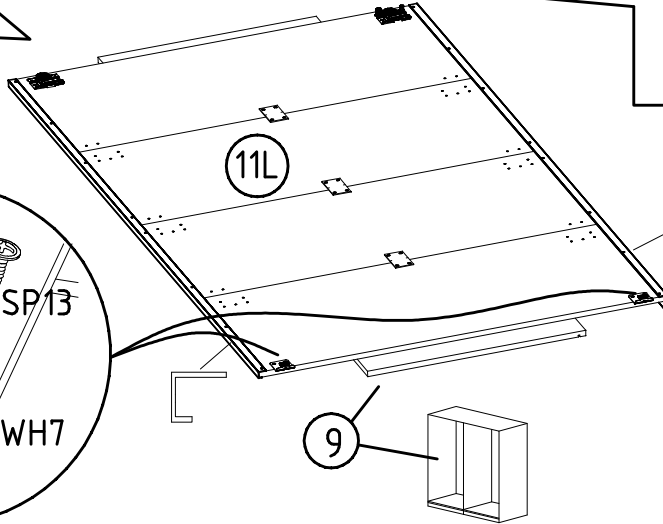
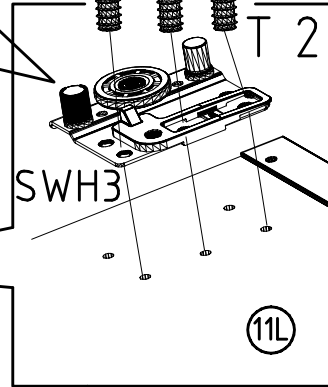
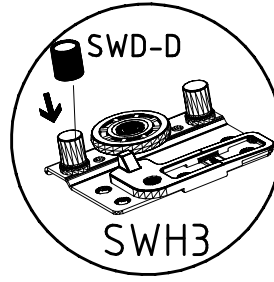
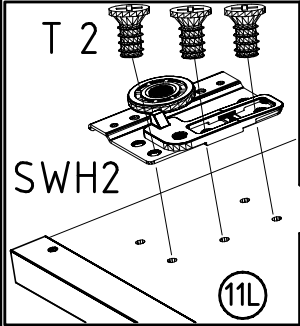
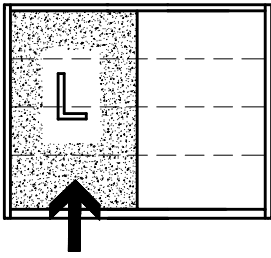
3



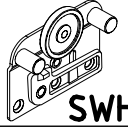
4



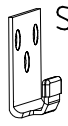
5



SWH2



SWH3



SWH7



SWH-D

6,3 x 10,5 mm T2



111 030

4 X 13mm

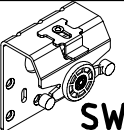
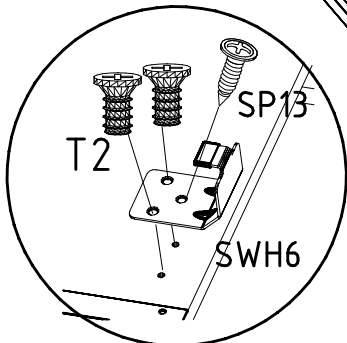
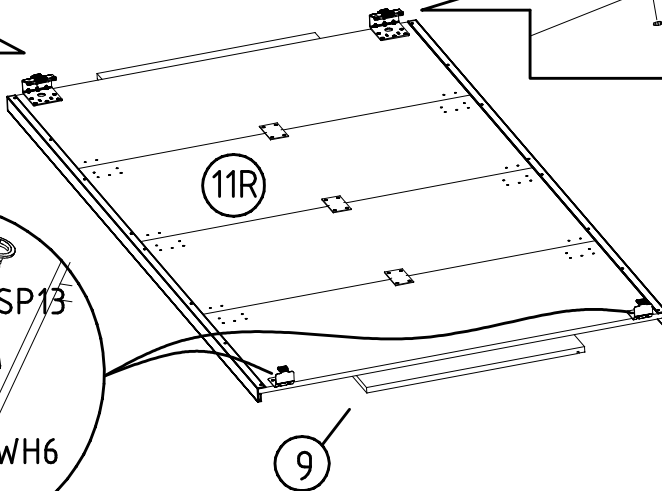
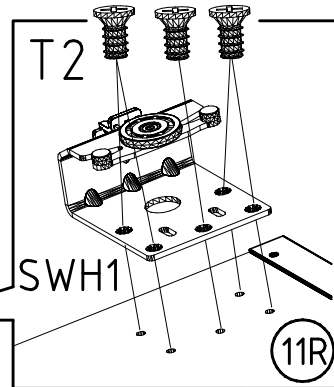
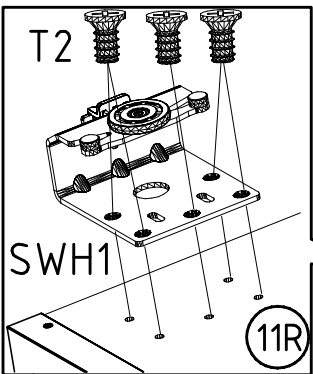
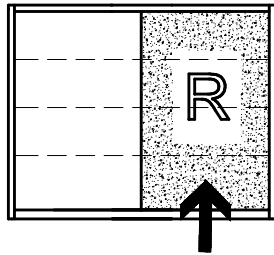
SP13



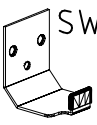
121 122



6



SWH1



SWH6

6,3 x 10,5 mm T2



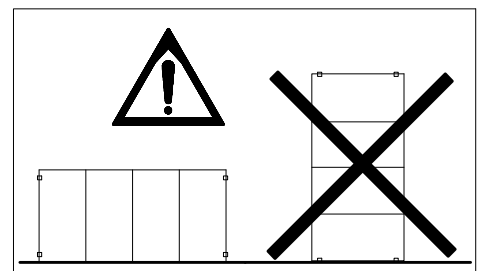
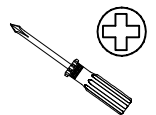
111 030

4 X 13mm

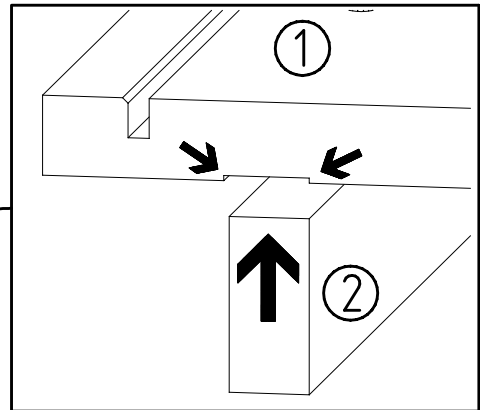
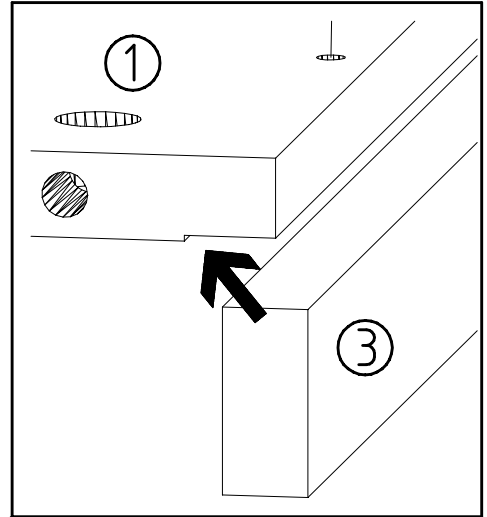
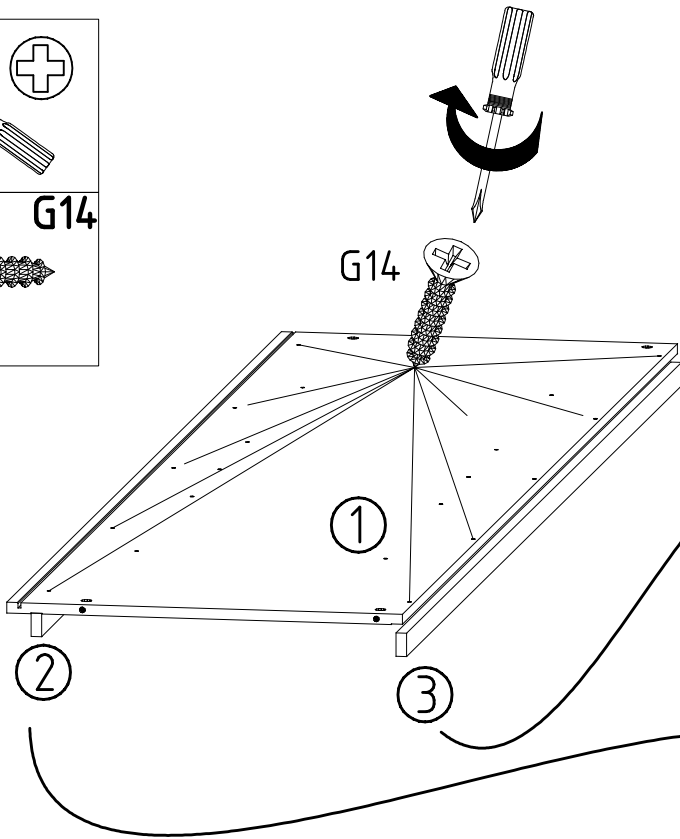
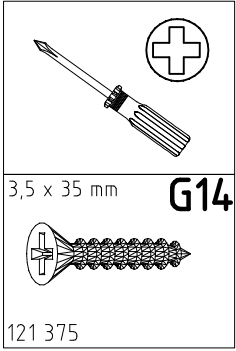
SP13



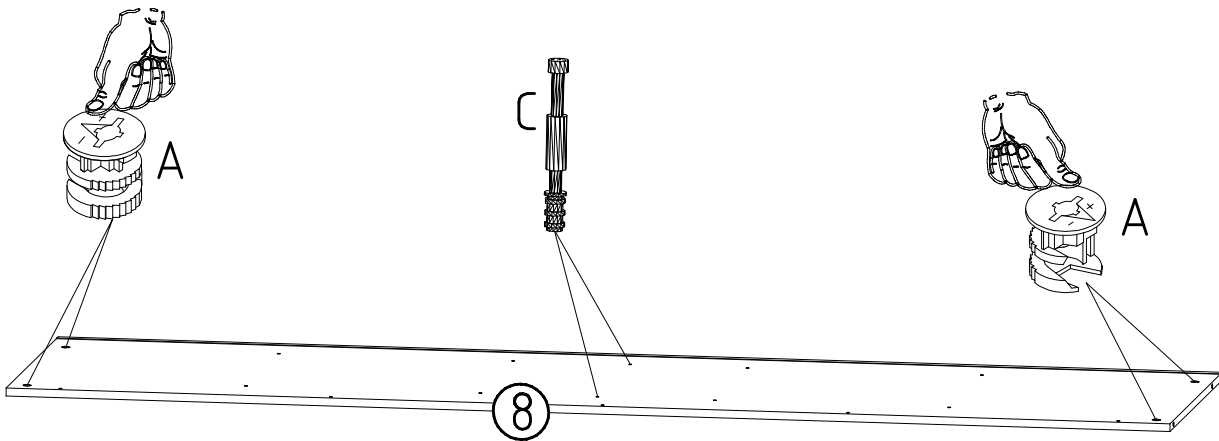
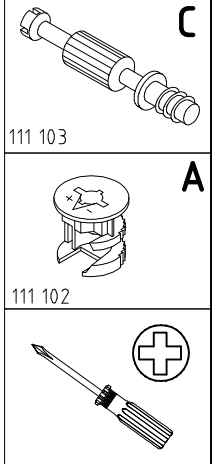
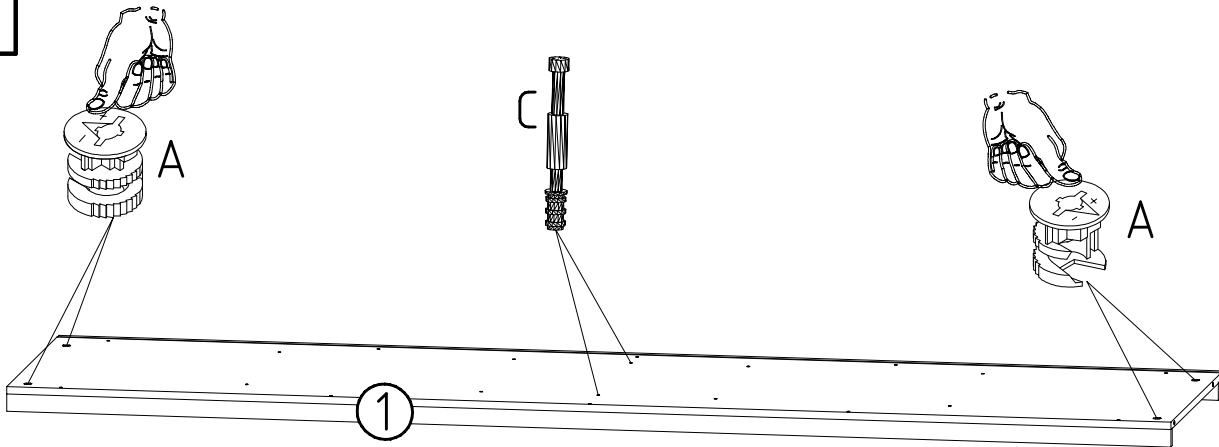
121 122



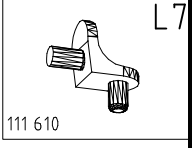
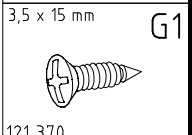
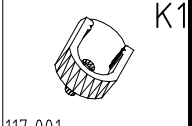
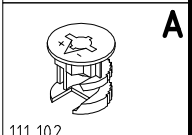
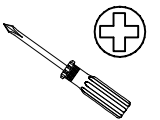
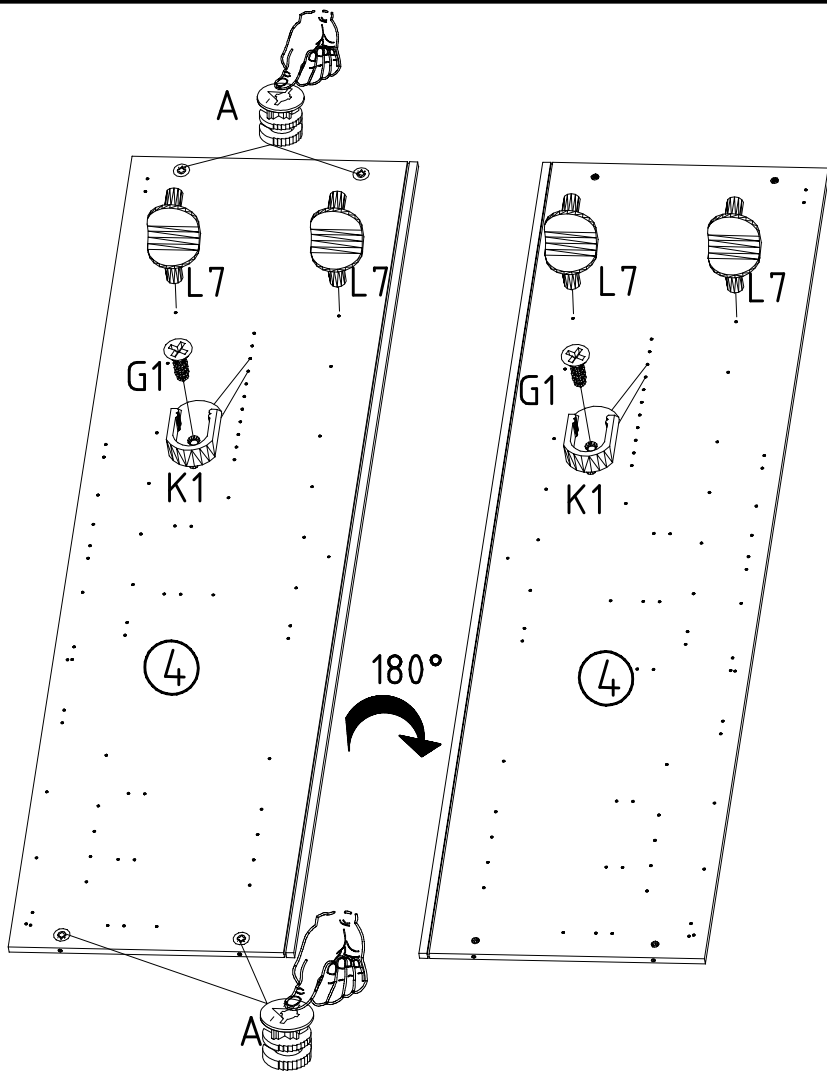
7



8



9



111 102

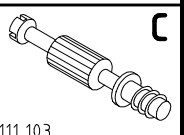
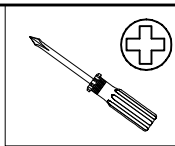
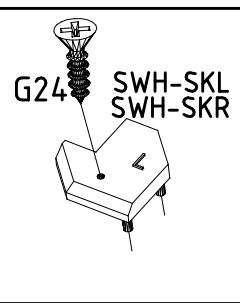
117 001

3,5 x 15 mm

121 370

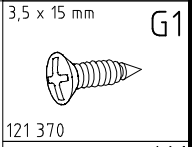
111 610

10

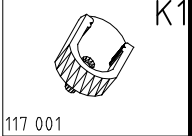


111 103

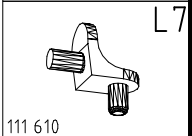
3,5 x 15 mm



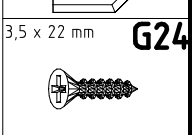
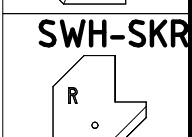
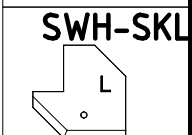
121 370



117 001

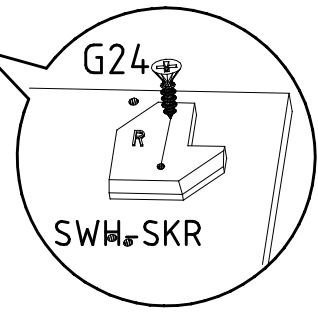
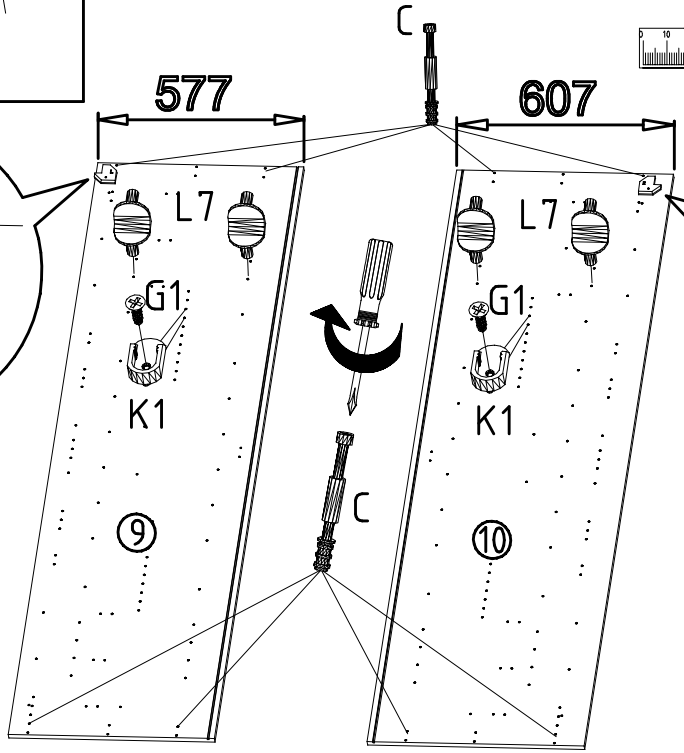
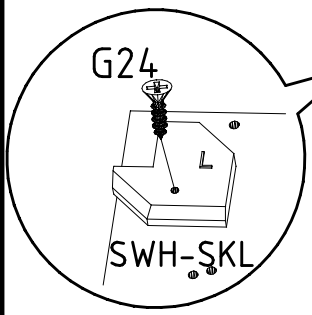


111 610

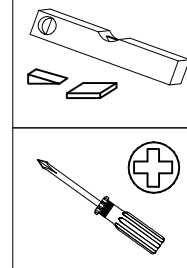
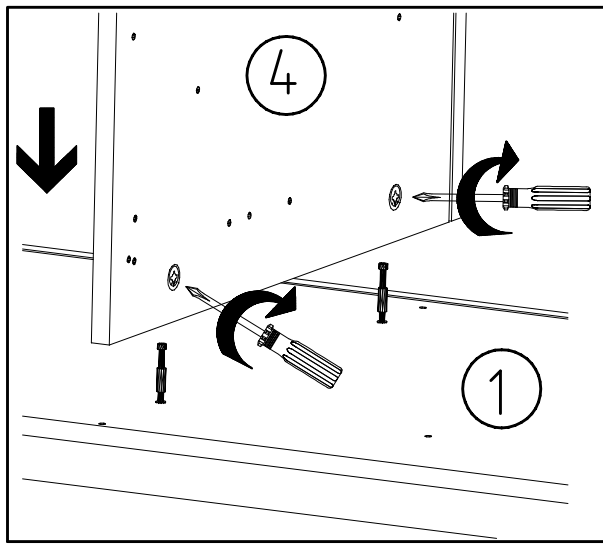
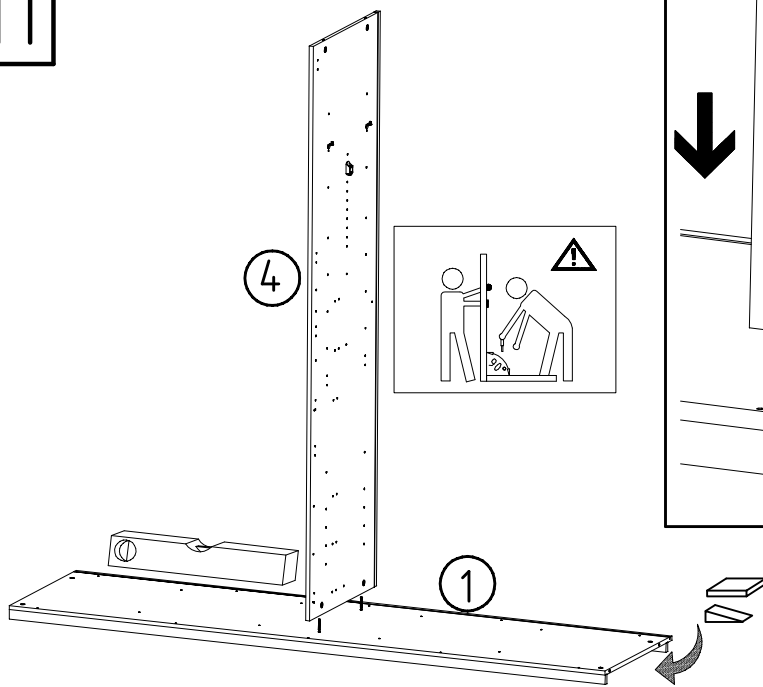


3,5 x 22 mm

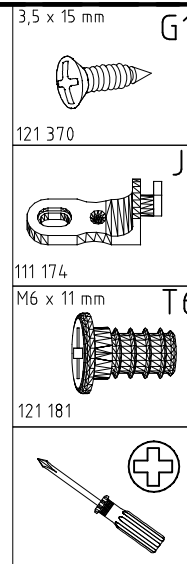
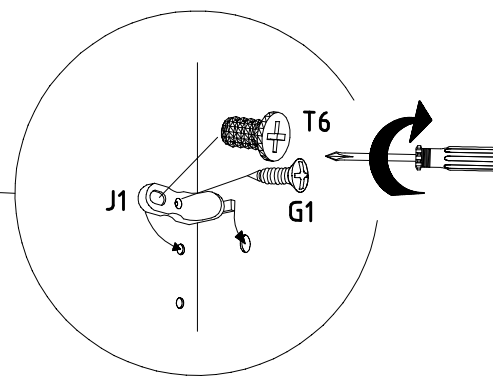
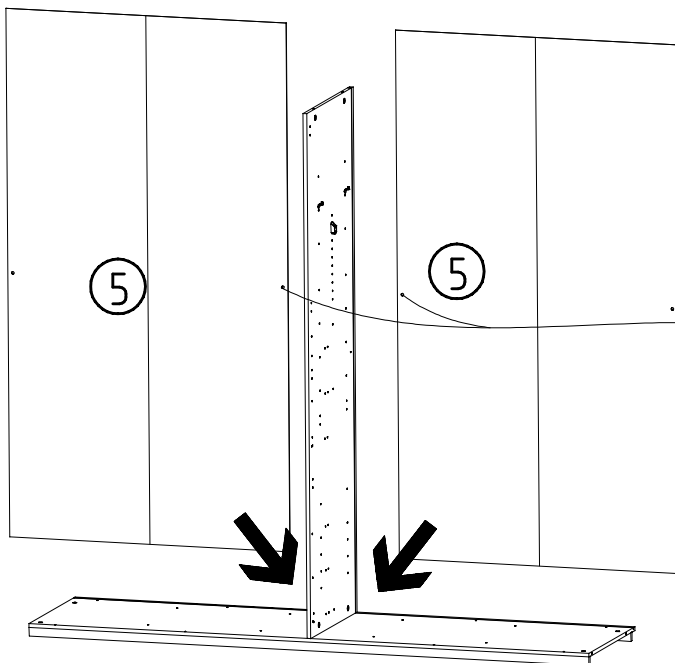
121 004



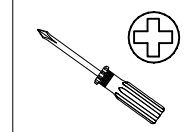
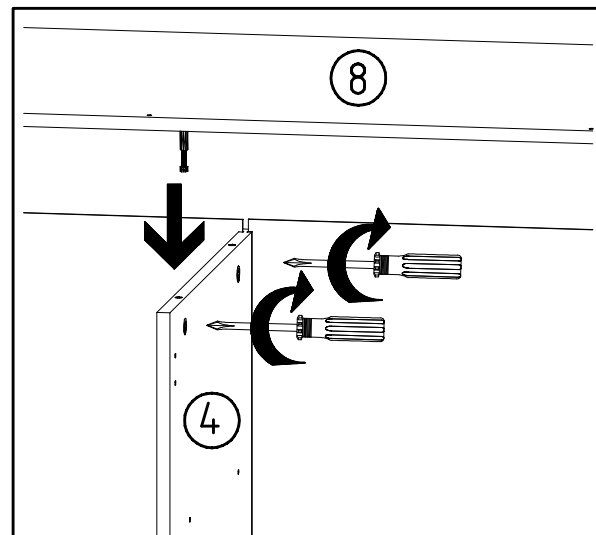
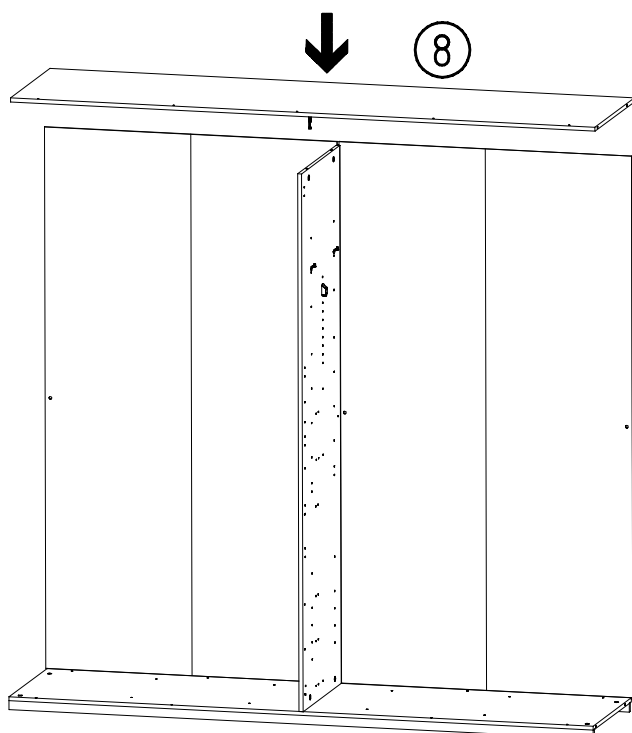
11

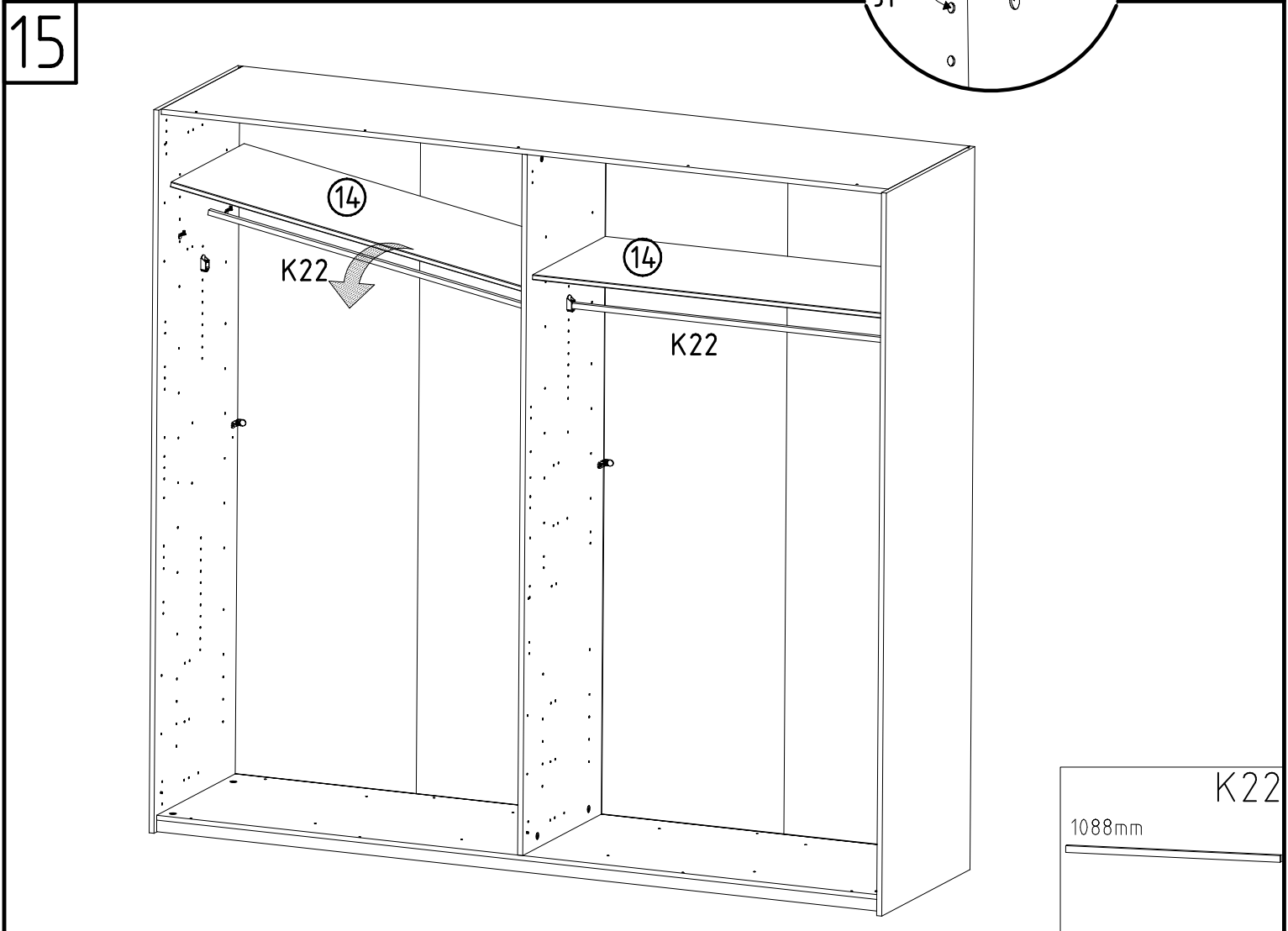
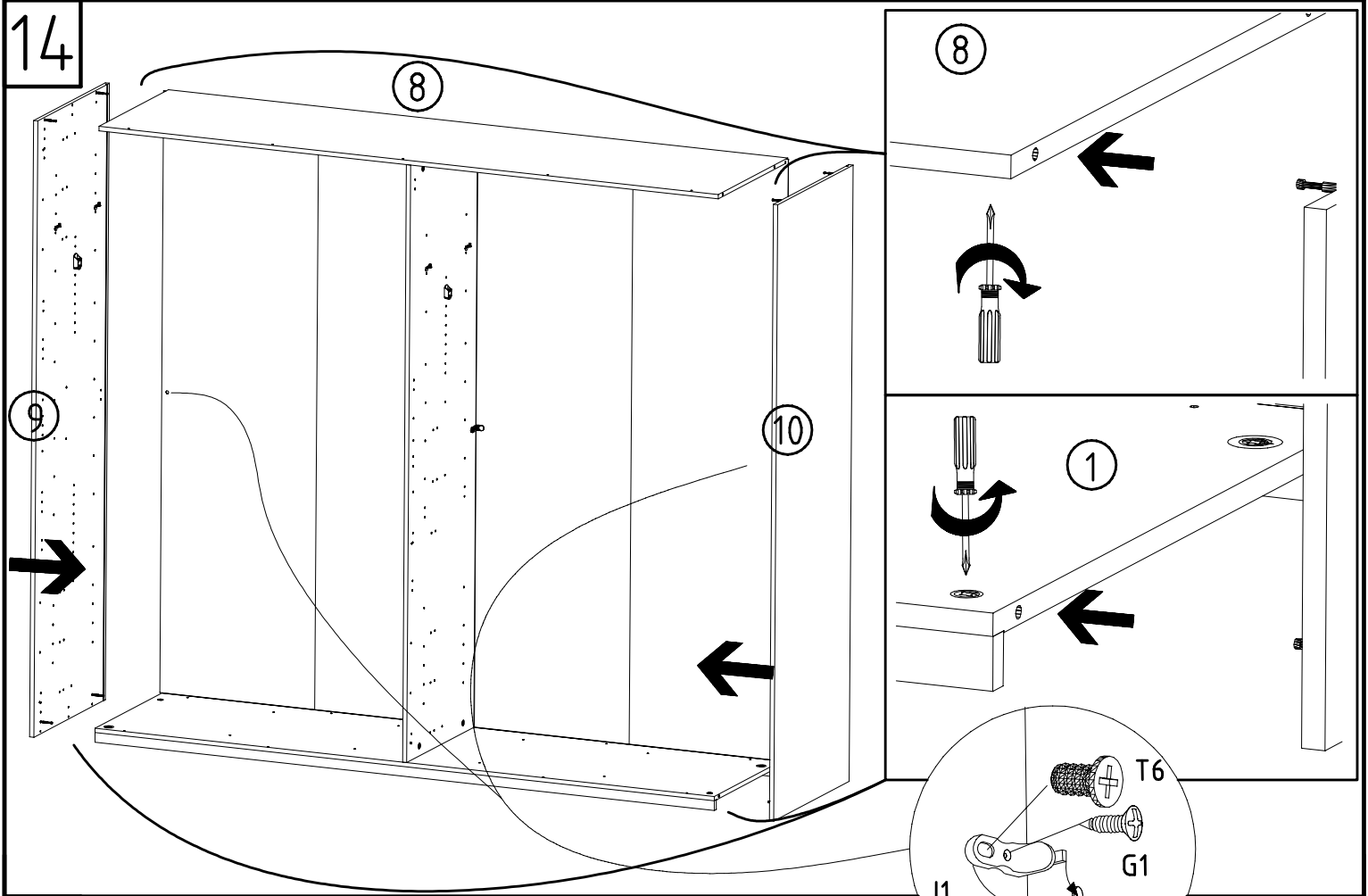


12

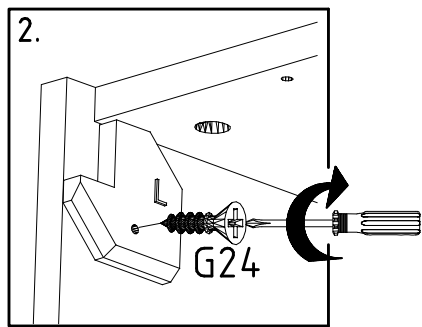
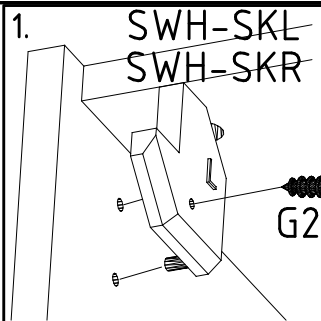


13

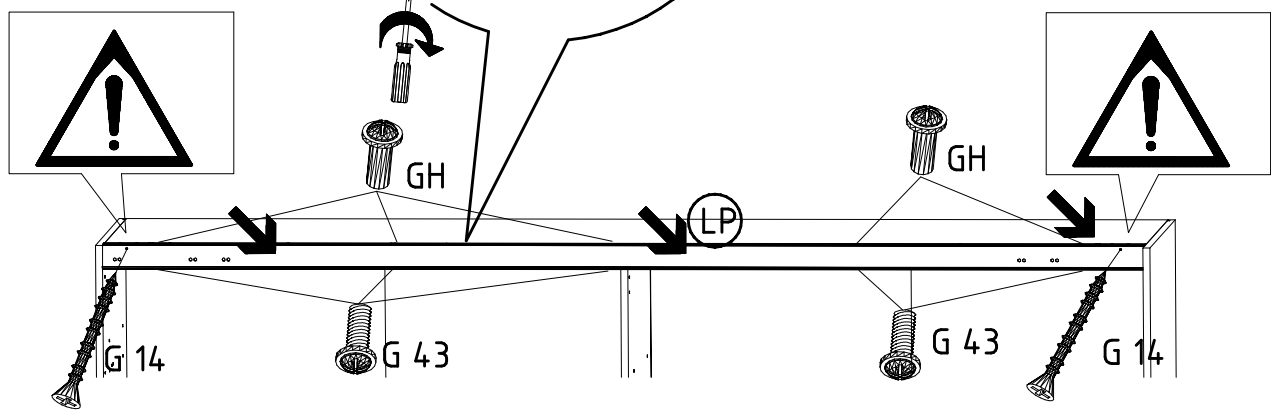
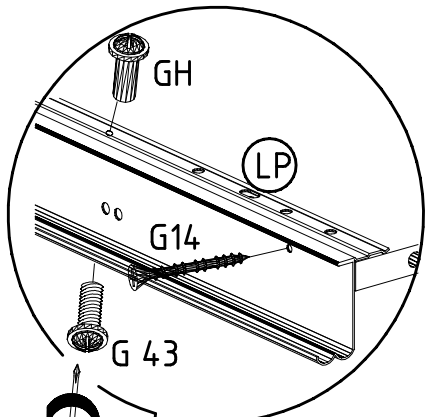
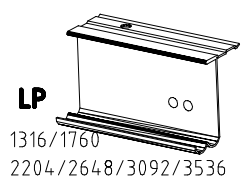
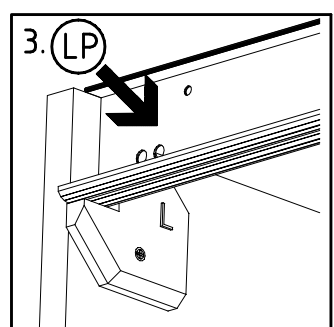




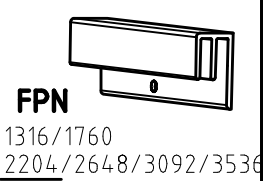
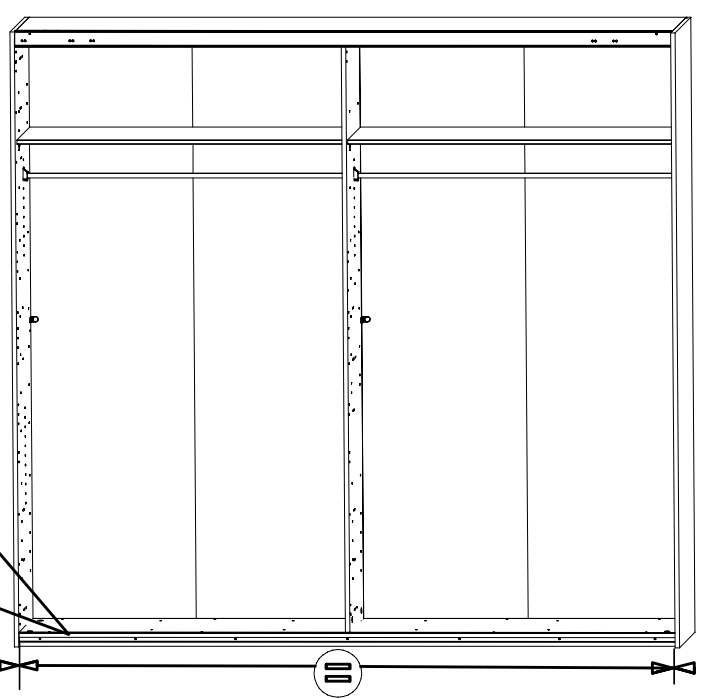
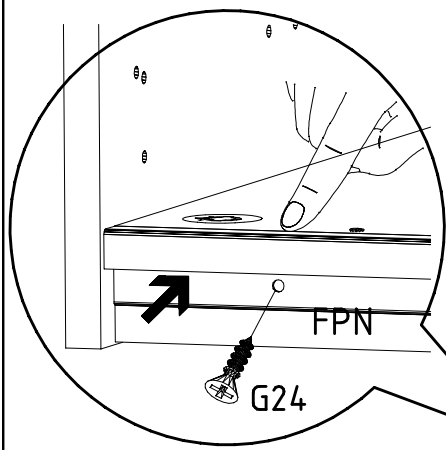
16



- | | | | | |
|------------------------|--------------------------|----------------|-----------------------|------|
| 3,5 x 35 mm
121 375 | G14
M4 x 10 mm | G43
121 xxx | M4 x 13 mm
121 xxx | GH13 |
|------------------------|--------------------------|----------------|-----------------------|------|

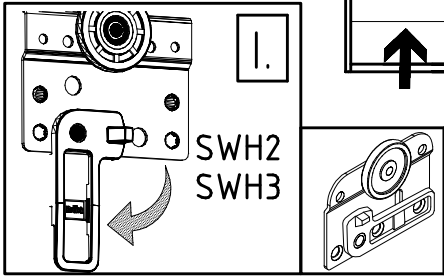
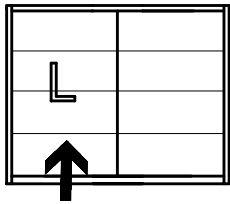


17

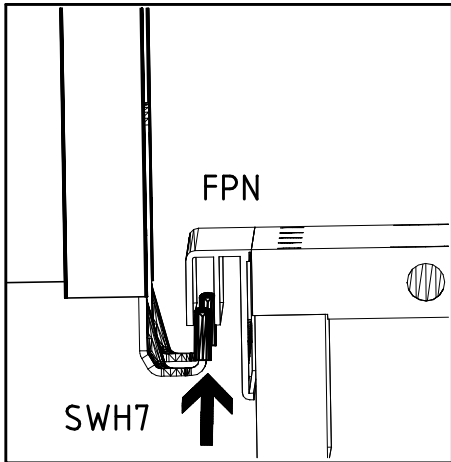


- | | |
|------------------------|------------|
| 3,5 x 22 mm
121 004 | G24 |
|------------------------|------------|

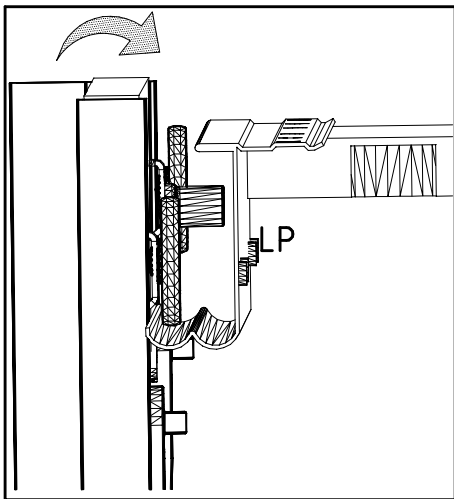
18



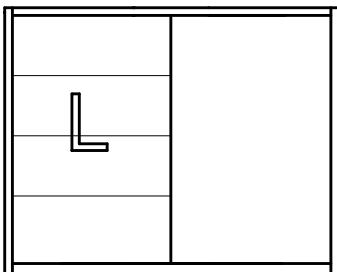
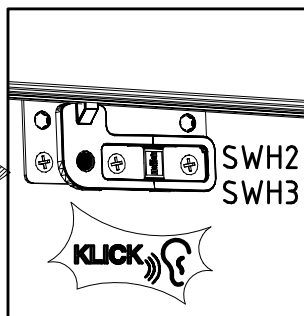
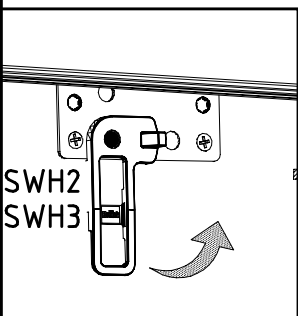
II.



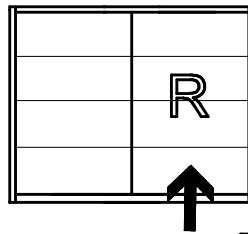
III.



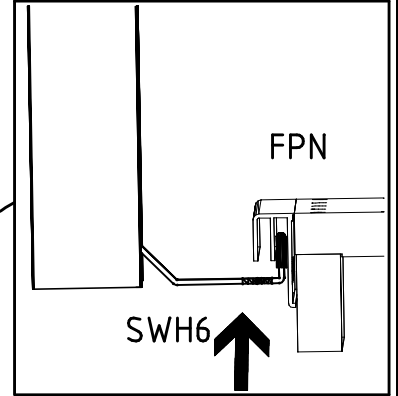
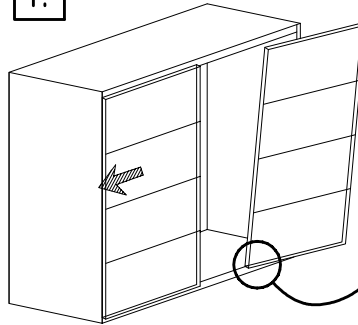
IV.



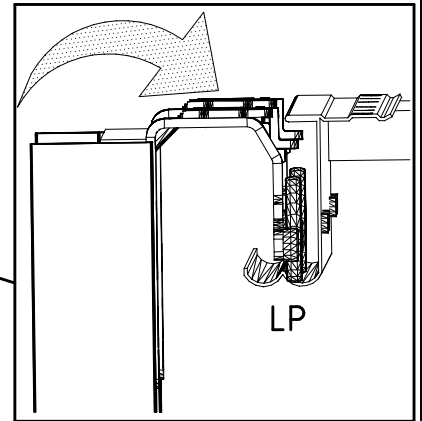
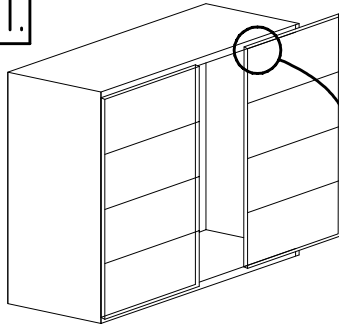
19



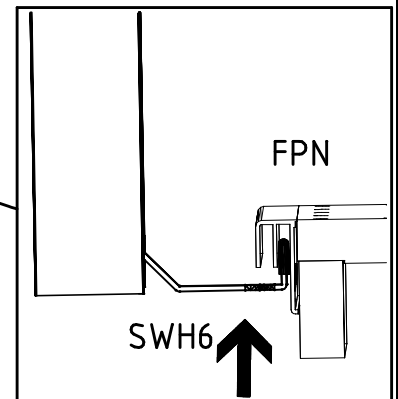
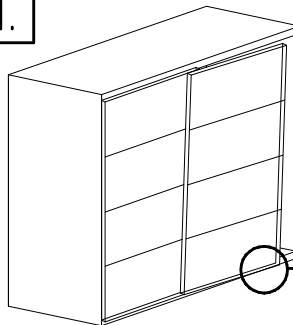
I.



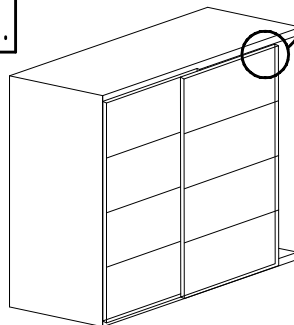
II.



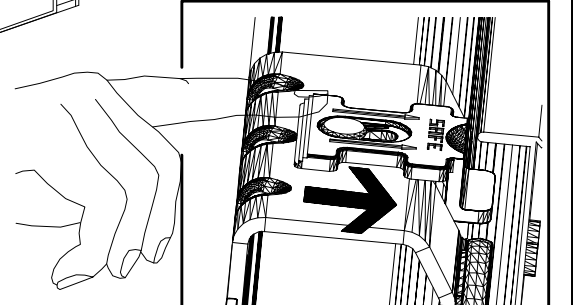
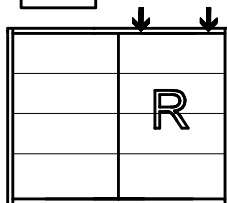
III.

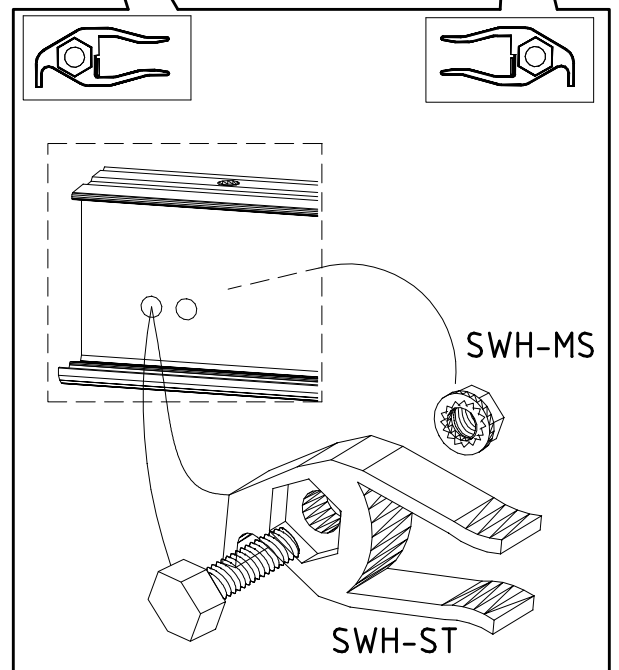
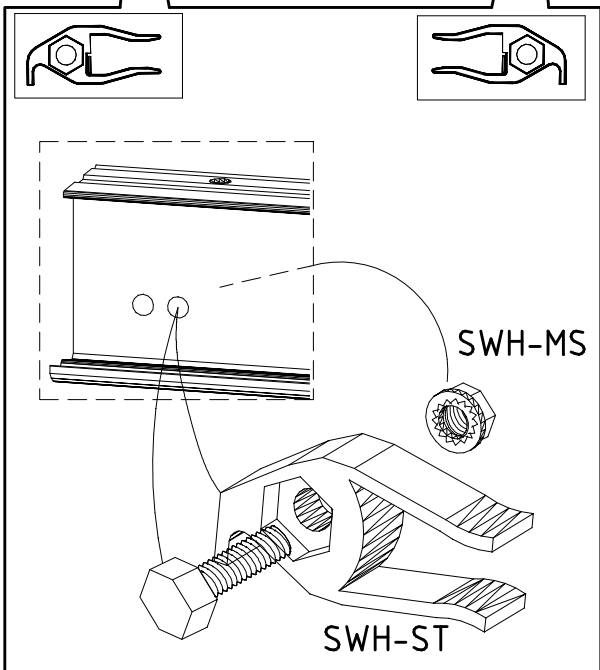
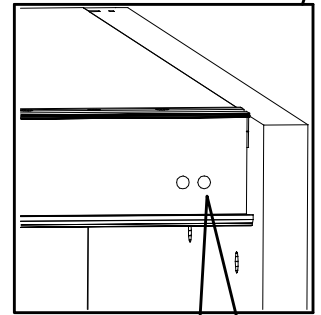
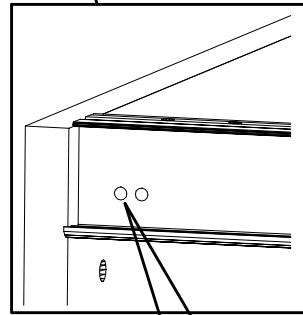
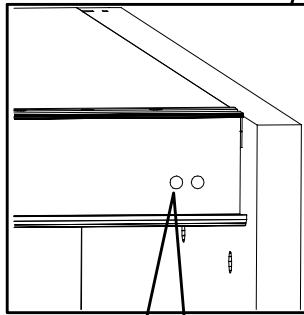
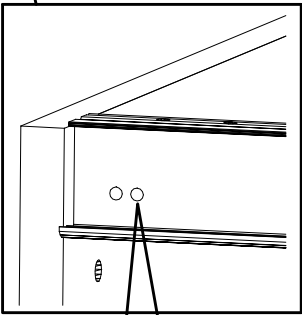
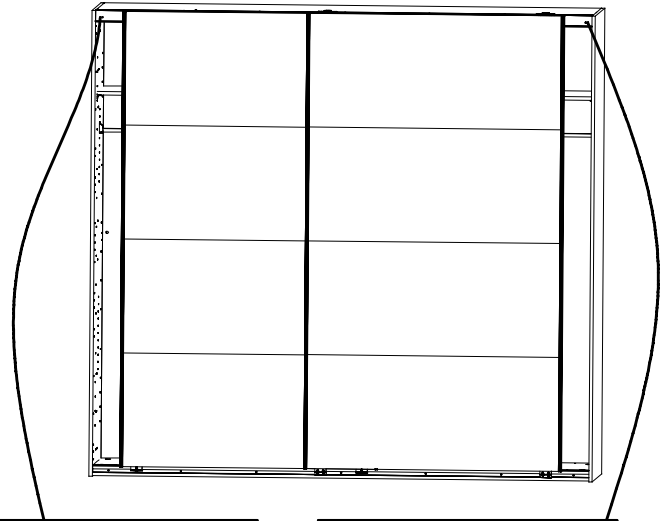
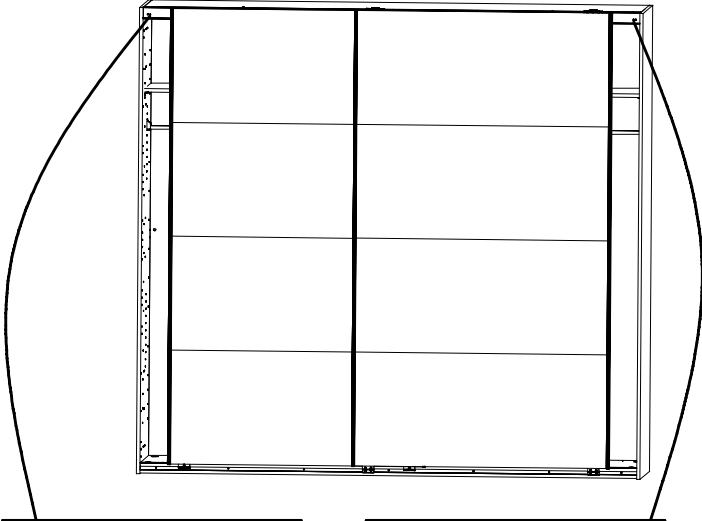
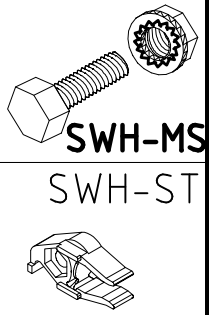
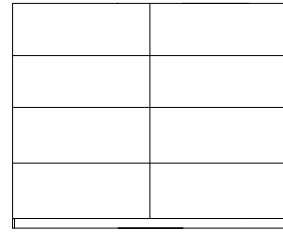
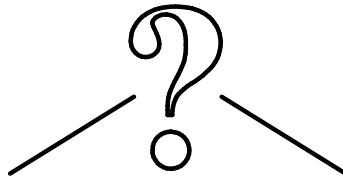
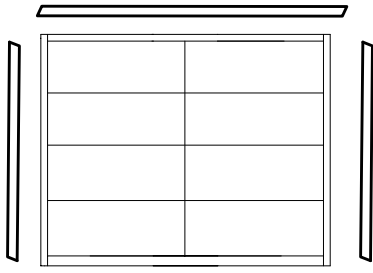


IV.

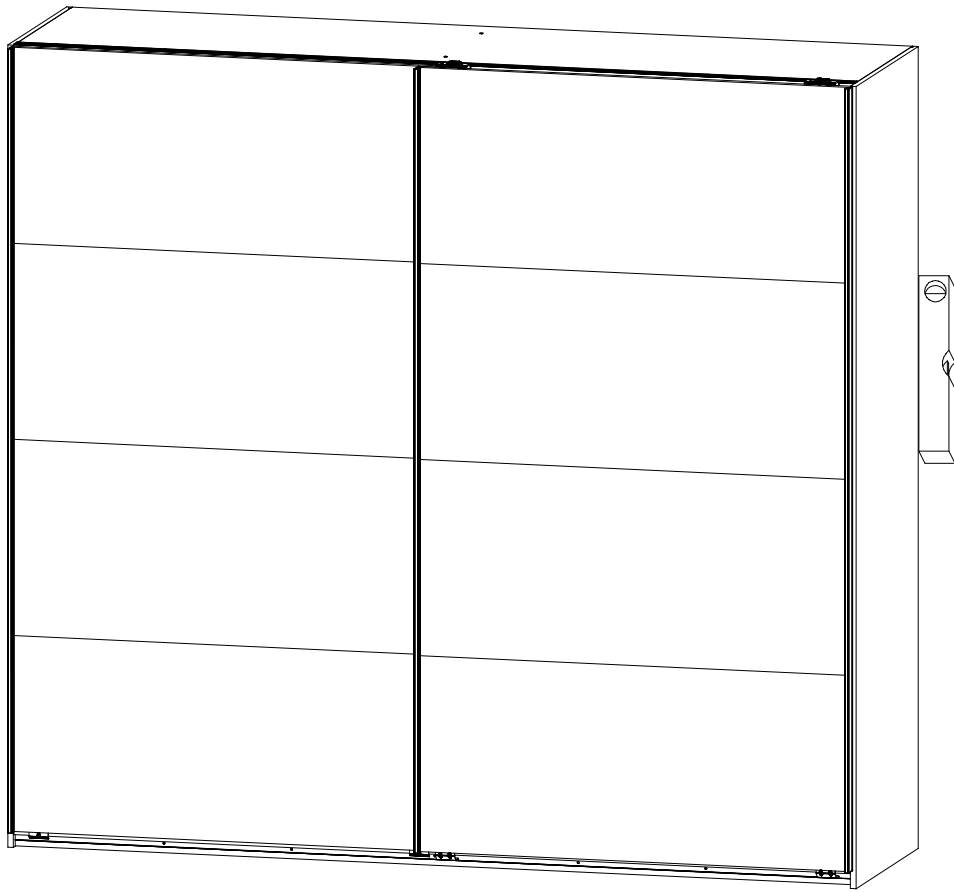
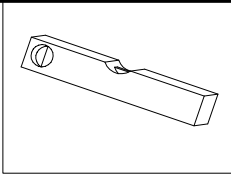


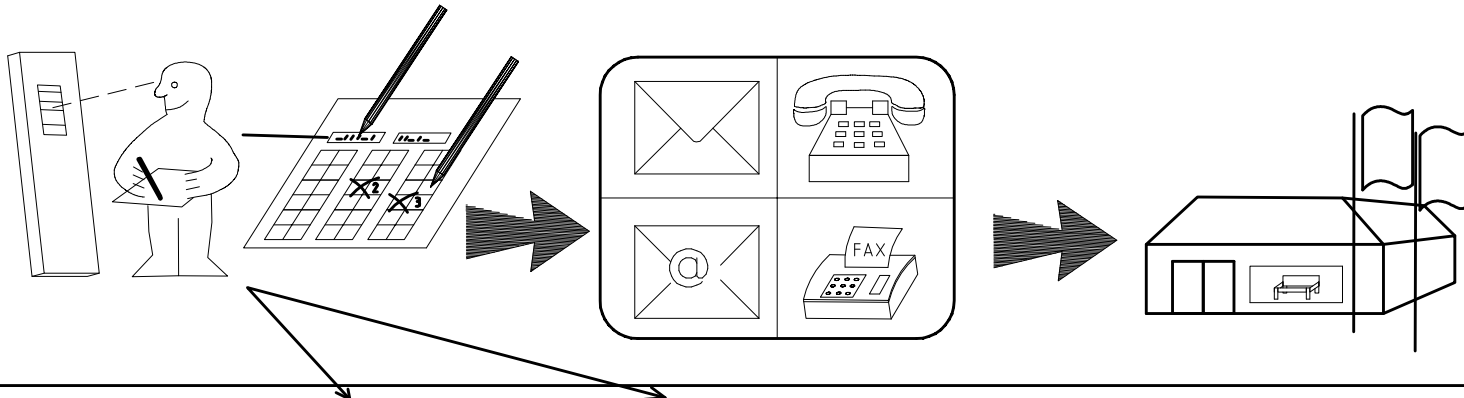
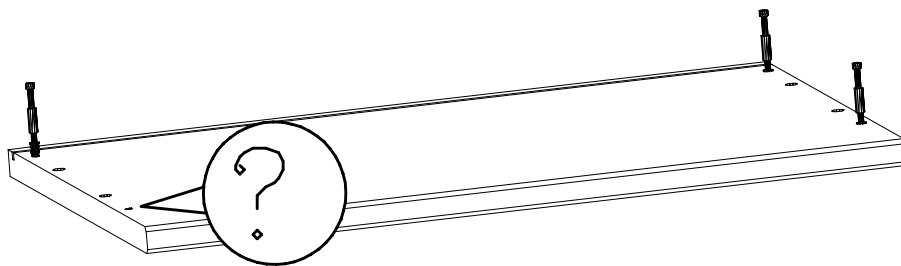
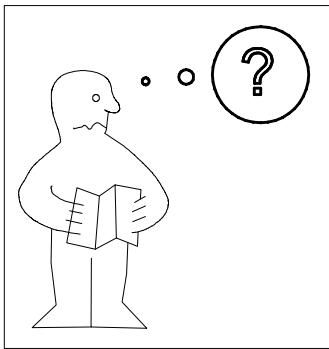
V.





21





Auftrag/Order-No
No. de Commande

Kunde/Customer
Client

	SWH1
	SWH2
	SWH3
	SWH 6
	SWH 7
	SP13 4 X 13mm
	SP13 4 X 13mm 121 122

	SWH-D
	SWH-SKL
	SWH-SKR
	SWH-ST
	SWH-MS
	T2 6,3 x 10,5 mm
	T2 6,3 x 10,5 mm 111 030

	G1 3,5 x 15 mm
	G24 3,5 x 22 mm
	A 121 004
	L7 111 102
	H5 111 610
	G14 3,5 x 35 mm
	G14 3,5 x 35 mm 121 375

	K1 117 001
	C 111 103
	J1 111 174
	T6 M6 x 11 mm 121 181
	K22 1088mm 112 404
	G43 M4 x 10 mm 121 xxx
	GH13 M4 x 13 mm 121 xxx

